

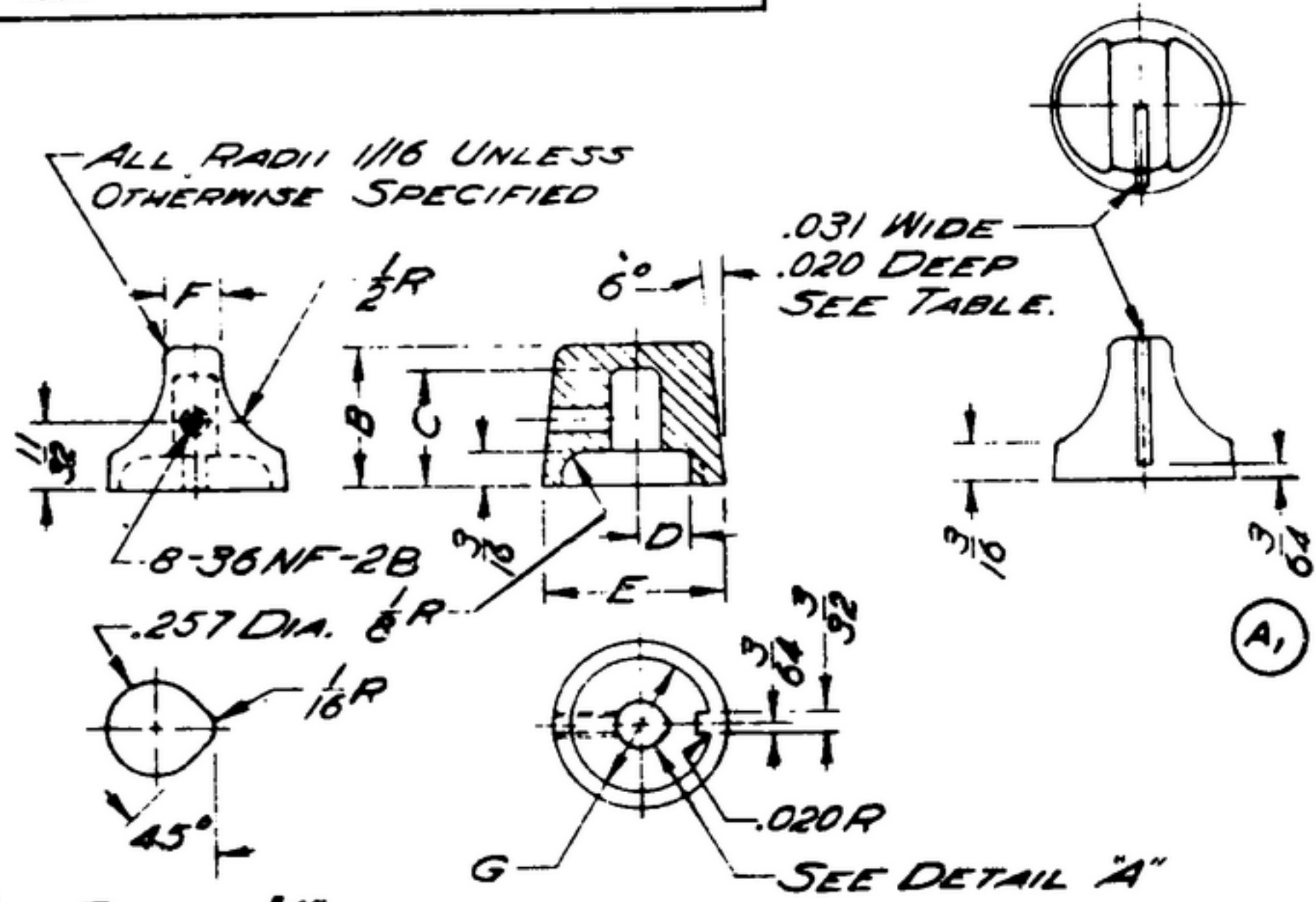
NOTICE: WHEN GOVERNMENT SPECIFICATIONS OR OTHER DATA ARE USED FOR ANY PURPOSE OTHER THAN THE ORIGINAL INTENT, THE UNITED STATES GOVERNMENT THEREBY INCURS NO LIABILITY AND NO WARRANTY WHATSOEVER, AND THE FACT THAT THE GOVERNMENT HAS PROVIDED SUCH DATA DOES NOT IN ANY WAY SUPPLY THE SAID SPECIFICATIONS OR OTHER DATA IS NOT TO BE DEEMED AN IMPLICATION OF ENDORSEMENT OR A GUARANTEE OF THE ACCURACY OF ANY OTHER DATA OR INFORMATION OR A WARRANTY OF MERCHANTABILITY OR FITNESS FOR ANY PURPOSE. THE GOVERNMENT WILL NOT BE RESPONSIBLE FOR ANY PATENTED INVENTION THAT MAY IN ANY WAY BE DELAYED THEREBY.

THIS DOCUMENT HAS BEEN PURCHASED BY THE GOVERNMENT AND MAY BE REPRODUCED AND USED IN CONNECTION WITH ANY GOVERNMENT PROCUREMENT OR MAINTENANCE OPERATION.

FOR INFORMATION ONLY. CONTRACTOR MAY AT HIS OPTION DEVIATE FROM THESE PROCESS DETAILS.

REVISIONS			
SYM	DESCRIPTION	DATE	APPROVAL
A <sub>2</sub>	A <sub>1</sub> -FINISH PG12D WAS PG12, A <sub>2</sub> -ADDED APPL. SM-D-343619	15 OCT. 59	42426-PC-59-A1-51 REV'D. P. E.
B	B-WAS ASTM-B-86-43 ALLOY XXIII	6 APR 60	6-0089 REV'D. ECZ

~~SWE APPROVAL~~  
~~SYM PR 10042-G~~



- NOTES:
- PART MAY BE SUPPLIED BY DOEHLER JARVIS CORP, CHICAGO, ILL, OR EQUAL, PROVIDING IT MEETS THE FOLLOWING REQUIREMENTS & DIMENSIONS SHOWN.
  - ZINC ALLOY BAR KNOB TO MOUNT ON SINGLE FLATTED SHAFT WITH ONE 8-36 MULTIPLE SPLINE CUP POINT SET SCREW.
  - FINISH: PG12D PER SPEC MIL-F-14072, GROOVE SHALL BE FILLED WHITE ENAMEL COLOR CHIP 37886 PER FED. STD. 595, PER SPEC. TT-E-527.

DETAIL 'A'  
SCALE 2/1

MATERIAL: ZINC BASE ALLOY, DIE CAST,  
ASTM-B-86-577 ALLOY AG40AB

COLLINS PART NUMBER	DASH NO.	B	C	D	E	F	G	MARKING	EAC PT. NO.
559 0190 002	SM-B-249242-1	3/4	5/8	9/32	15/16	5/16	3/4	SEE NOTE 3	1500-0322
559 0191 002		7/8	3/4	3/8	1-1/8	3/8	15/16	SEE NOTE 3	1500-0323
559 0192 002		3/4	5/8	9/32	15/16	5/16	3/4	NONE	1500-0324

COLLINS PART NO.	ITEM	REQD.	PART NO.	DESCRIPTION	DATE	UNIT QTY
LIST OF MATERIAL						
COLLINS PART NO. 559 0190 002						

COLLINS NO.	QTY	NEXT ASSY	USED ON
559 0192 002	15	SM-D-249140	SC-DL-248775
APPLICATION			

DRAWN RCHILL  
CHECKED [Signature]  
APPROVED [Signature]

UNLESS OTHERWISE SPECIFIED:  
DECIMAL DIMENSIONS INCLUDING HOLE SIZES MAY VARY ± .005  
FRACTIONAL DIMENSIONS INCLUDING HOLE SIZES MAY VARY ± .1  
MACHINED ANGLES MAY VARY ± 1°  
SHEARED ANGLES MAY VARY ± 25°  
BROKEN ANGLES MAY VARY ± 1°  
ECCENTRICITY BETWEEN ANY DIAMETERS ON THE SAME CENTERLINE SHALL NOT EXCEED 0.10 TOTAL INDICATOR READING.  
ALL DIMENSIONS ARE FINISH DIMENSIONS INCLUDING APPLIED FINISH AND ARE GIVEN IN INCHES.

COLLINS RADIO CO.  
14214-PH-51-93

SIGNAL CORPS  
REVIEWED PME  
APPROVED HLY  
PME

DATE 13 JAN 56 SCALE

DEPARTMENT OF THE ARMY  
SIGNAL CORPS ENGINEERING  
LABORATORIES  
FORT MONMOUTH NEW JERSEY

SM-B-249242